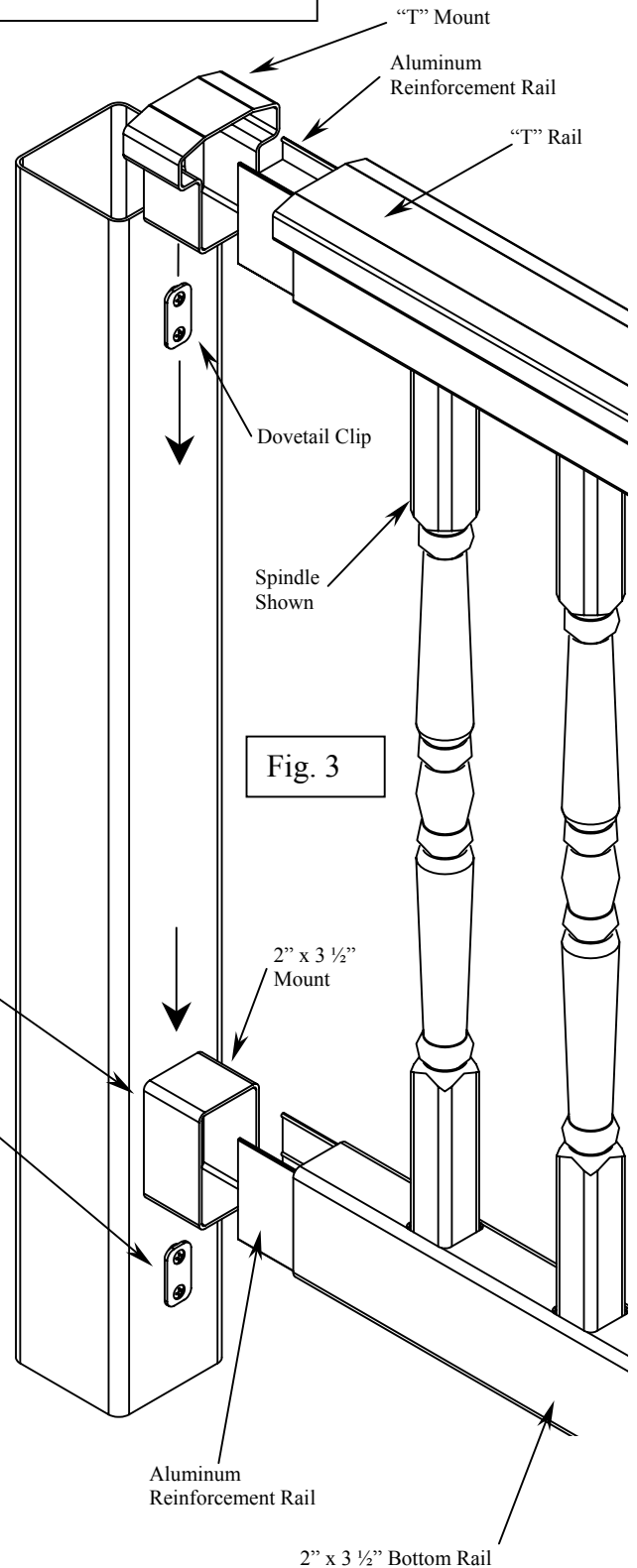
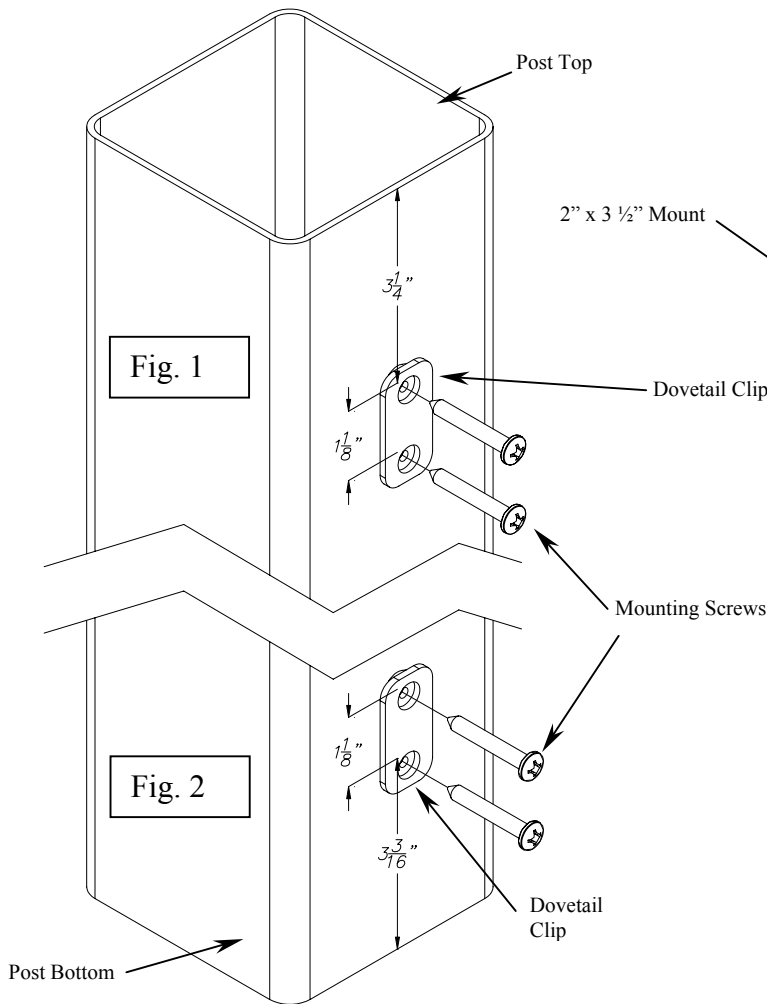


# AMW Wall Mount Installation Instructions

Note: The following installation instructions pertain to using AMW wall mounts with RCL railing styles Olympia "T" and Alpine "T". Before marking and installing clips make sure that posts are cut to the proper length, 38" for 36" railing and 44" for 42" railing. This installation sets the top rail 2" from post top and the bottom rail 2" from deck or porch surface.

- 1) Install dovetail clip on top end of post. Mark and drill 1/8" holes as shown in Fig 1 with top hole 3 1/4" from top and center of post.
- 2) Install dovetail clip on bottom end of post. Mark and drill 1/8" holes as shown in Fig 2 with bottom hole 3 3/16" from bottom and center of post.
- 3) Assemble railing section. Insert aluminum rail reinforcements into rails and insert pickets or spindles into the rails. Slide the "T" and 2" x 3 1/2" wall mounts over the ends of the rails. (Fig 3.)
- 4) Position railing section with mounts above the clips and press down, snapping railing section into place. (Fig 3.)



Royal Crown Limited  
 PO Box 360  
 Milford, IN 46542-0360  
 Phone 800-365-3625  
 Fax 574-658-3147

**Care and Cleaning** —Ordinary dirt and mud usually washes off with a hose. At times it may be necessary to use a non-abrasive household cleaner to remove residue and then rinse with a hose.

4/6/04

1-IN009